

HBM-44-ARC-70-KIT

HDBaseT Matrix UHD including 4 Receivers



FEATURES:

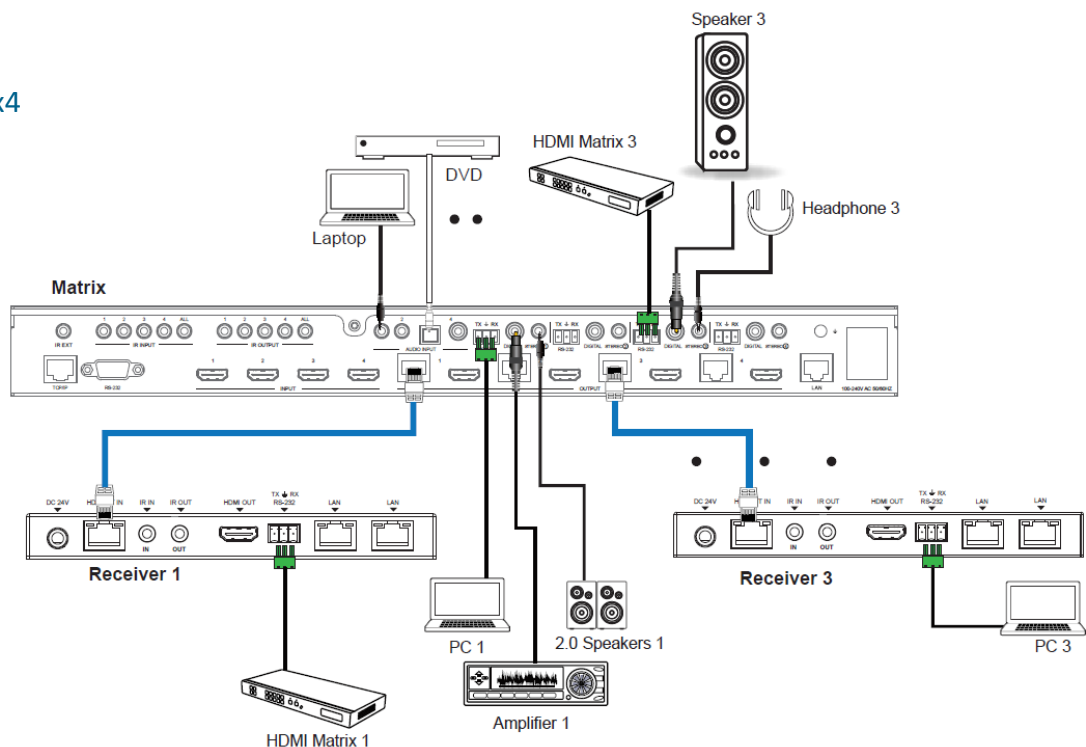
- HDMI resolution up to 4K@60Hz 4:2:0.
- compliant with the HDMI 2.0 and HDCP 2.2
- supports ARC
- 4K signal to the distance up to 40 meter and 1080p up to 70 meters

The matrix is a four-input by four-output HDBaseT and HDMI matrix with HDCP 2.2 and up to 4K/UHD@60Hz video support and ARC. It transmits 4K video to distances up to 131 feet (40 meters) and 1080p video to distances up to 229 feet (70 meters) over a single CATx Ethernet cable. HDBaseT outputs support the Power over Cable (PoC) feature, allowing the receivers to draw their power from the matrix over the HDBaseT cable.

The matrix not only supports bi-directional IR, RS232 extension but also has IR, RS232, and TCP/IP control options.

Diagram

HDBaseT Matrix 4x4



SPECIFICATIONS:

Input	4 x HDMI
Output	4 x HDBaseT / 4 x HDMI / 4 x Stereo analog audio / 4 x Digital coaxial audio
Resolution	HDMI: Up to 4Kx2K@60Hz 4:4:4 / HDBaseT: 4Kx2K@60Hz 4:2:0
Control	IR, RS232, TCP/IP
Audio Format	PCM
HDBaseT Bandwidth	18Gbps
Transmission Distance	1080p ≤ 70 meters / 4K@60Hz ≤ 40 meters
Relative Humidity:	10% ~ 90%
Power Supply	Input: 100V~240V AC; 50/60Hz
Power Consumption	85W (Max) Receiver: 14W (Max)
Dimensions	440mm (W)×274mm (D)×45mm (H)



GeMNeXT is brand of

AVDIS B.V.
Ambachtstraat 3A
3732 CN DE BILT

The Netherlands

www.gemnnext.com

info@gemnnext.com

+31- (0)85 2100 614