

HBM-88-150-KIT

HDBaseT Matrix UHD including 4 Receivers

GeMNeXT



FEATURES:

- HDMI resolution up to 4K@60Hz 4:4:4.
- compliant with the HDMI 2.0 and HDCP 2.2
- supports 7.1 CH audio
- 4K signal to the distance up to 150 meter

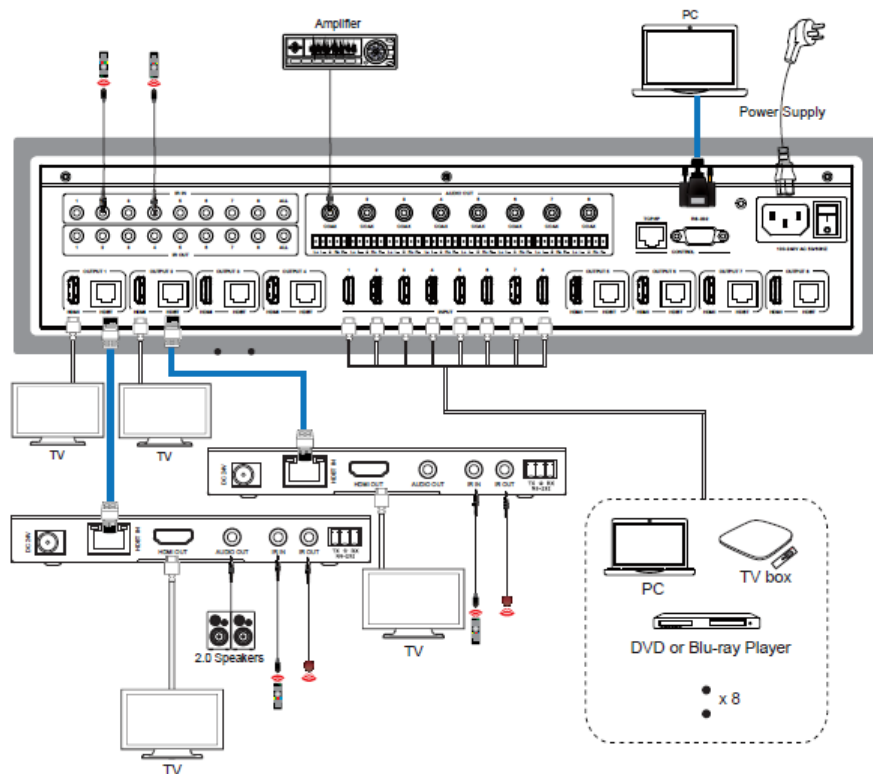
The matrix is a eight-input by eight-output HDBaseT and HDMI matrix with HDCP 2.2 and up to 4K/UHD@60Hz video support.

It transmits 4K video to distances up to 150 meter over a single CATx Ethernet cable. HDBaseT outputs support the Power over Cable (PoC) feature, allowing the receivers to draw their power from the matrix over the HDBaseT cable.

The matrix not only supports bi-directional IR, RS232 extension but also has IR, RS232, and TCP/IP control options.

Diagram

HDBaseT Matrix 8x8



SPECIFICATIONS:

Input	8 x HDMI
Output	8 x HDBaseT / 8 x HDMI / 8 x Stereo analog audio / 8 x Digital coaxial audio
Resolution	HDMI: Up to 4Kx2K@60Hz 4:4:4 / HDBaseT: 4Kx2K@60Hz 4:2:0
Control	IR, RS232, TCP/IP
Audio Format	PCM
HDBaseT Bandwidth	18Gbps
Transmission Distance	4K@60Hz ≤ 150 meters
Relative Humidity:	10% ~ 90%
Power Supply	Input: 100V~240V AC; 50/60Hz
Power Consumption	85W (Max) Receiver: 14W (Max)
Dimensions	440mm x 200mm x 44.5mm

GeMNeXT

GeMNeXT is brand of

AVDIS B.V.
Ambachtstraat 3A
3732 CN DE BILT

The Netherlands

www.gemnext.com

info@gemnext.com

+31- (0)85 2100 614