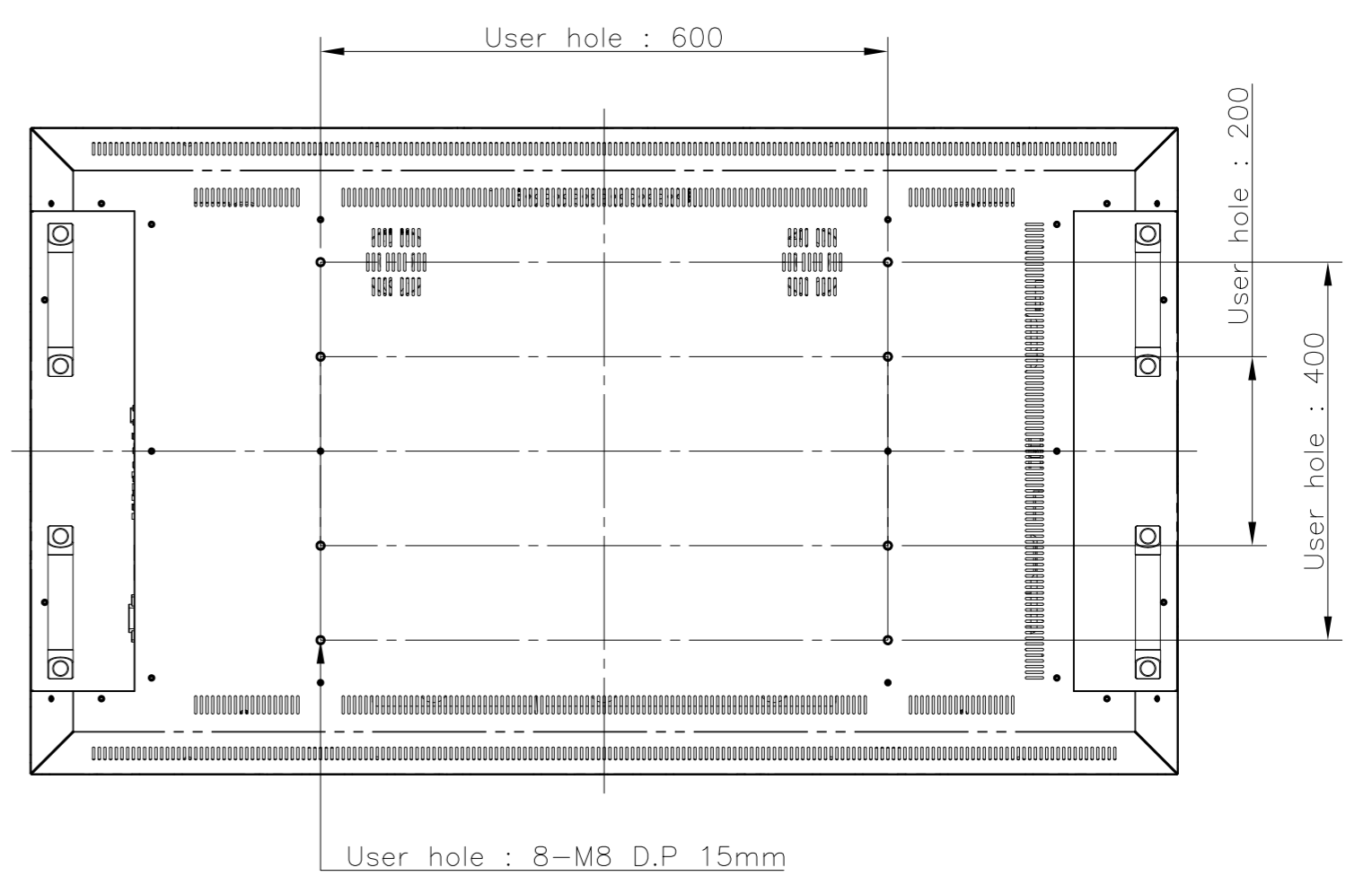
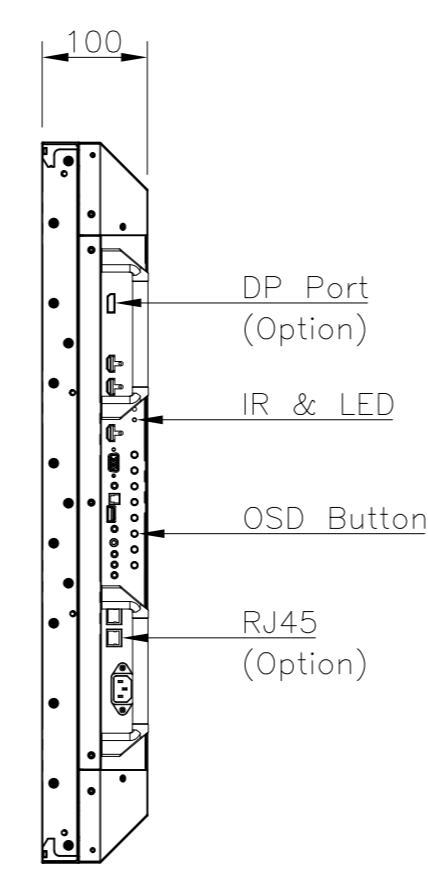
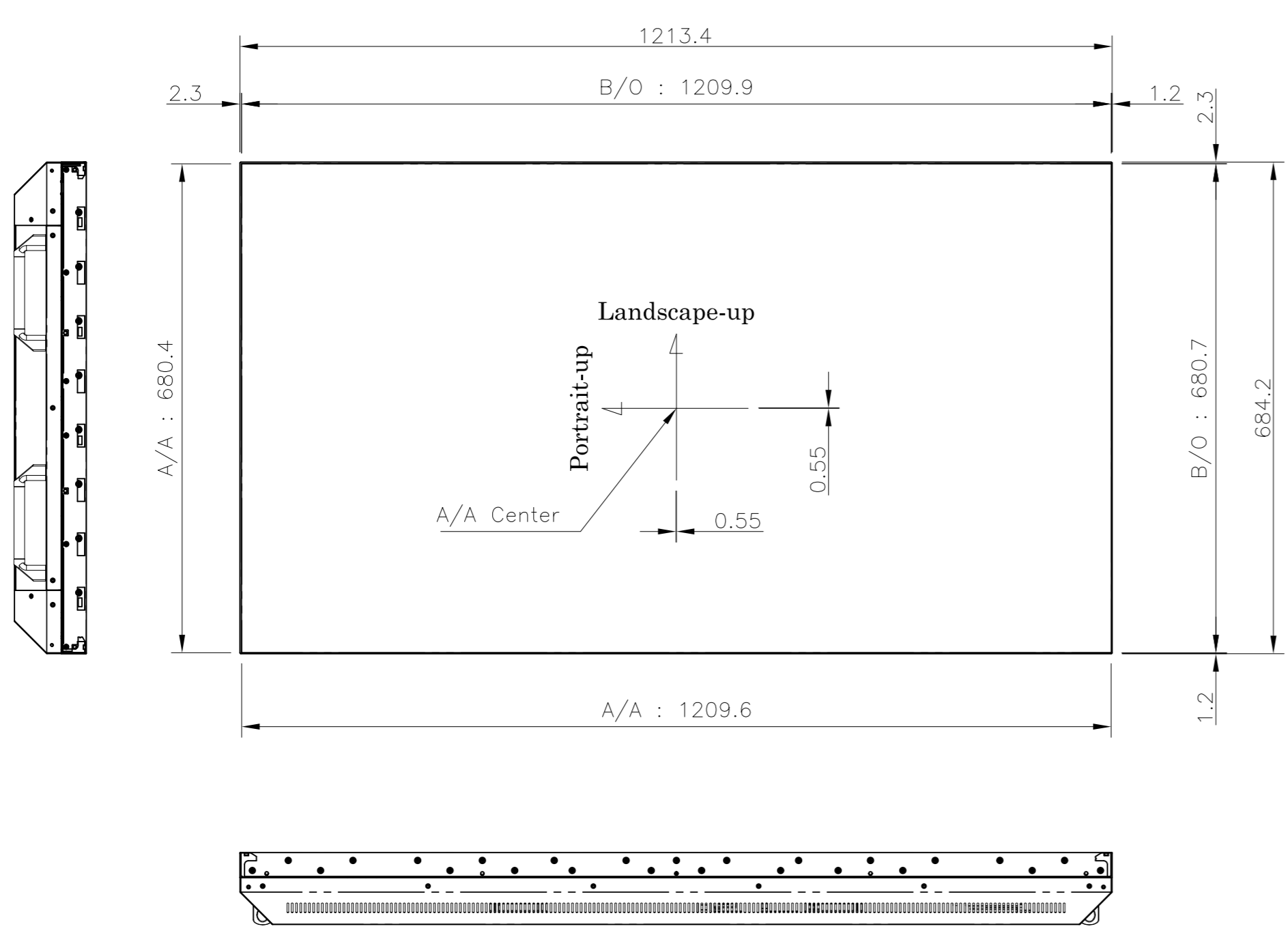
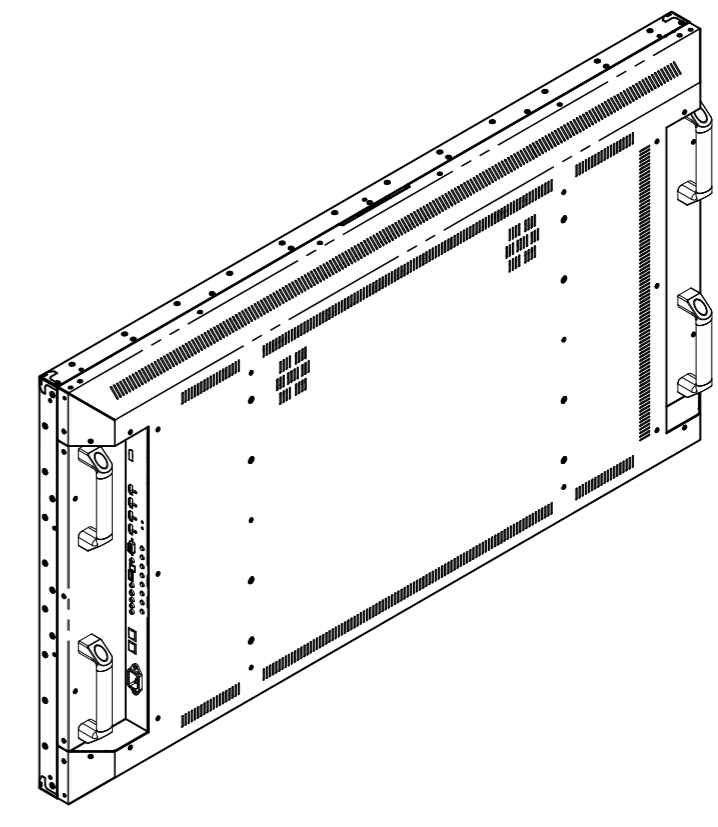
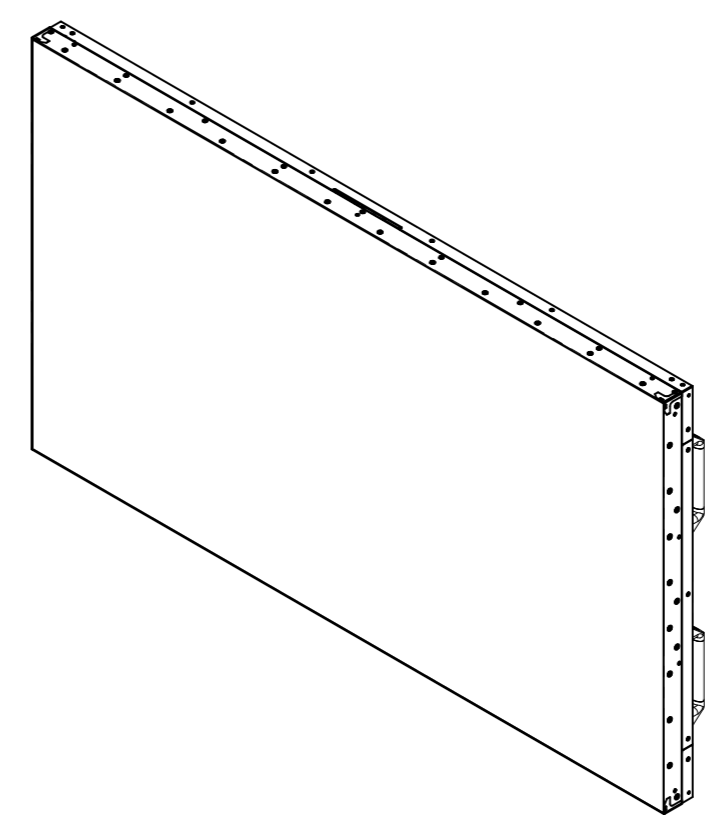
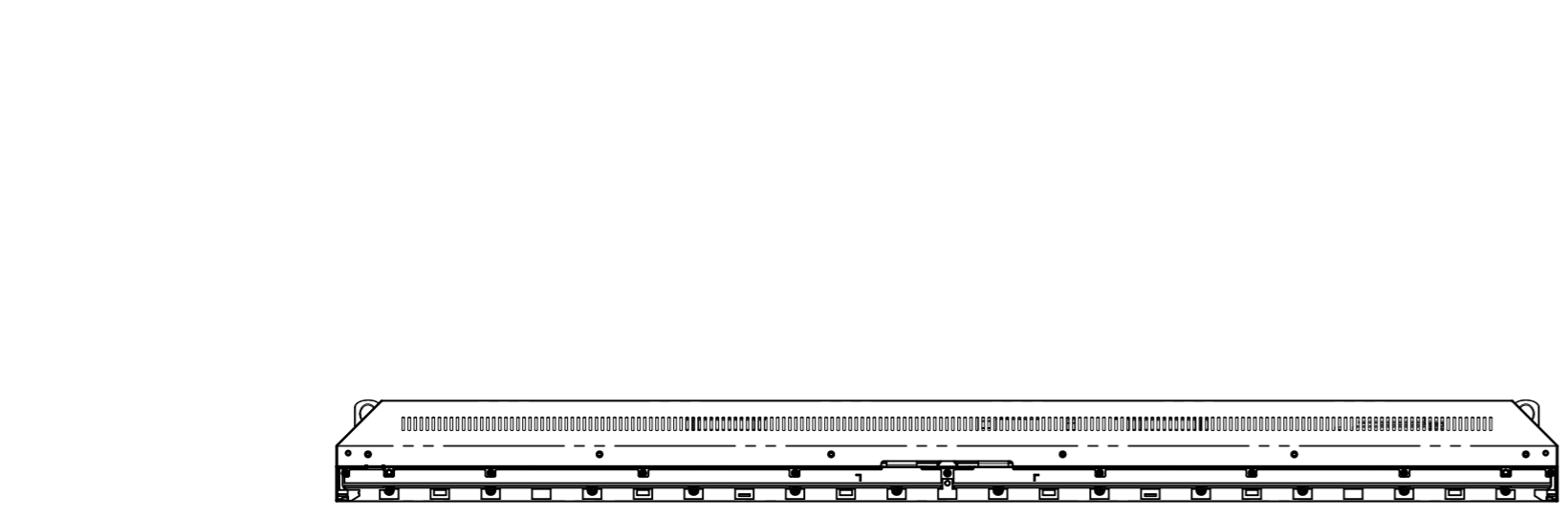


This drawing is the property of HYUNDAI IT CO.,LTD. and should not be disclosed to any third party without prior permission of HYUNDAI IT CO.,LTD..

REV. NO		REV. HISTORY	LTR	ECO NO	DATE	APPR'L
DWG	PART					
00	00	INITIAL RELEASE	-	-	-	-



- NOTES**
- LCD Panel : 55" UNB
 - Material : E.G.I
 - Color : Black

DRAWN	PLANNED	CHECKED	APPROVED	UNLESS OTHERWISE SPECIFIED ALL DIMENSION ARE IN MILLIMETERS	ANGLE 3rd.	TITLE : D55LFN(UFN) EXTERIOR VIEW	UNIT : mm
S.W.SEO	S.H.JANG	S.H.JANG	Y.T.KIM		SCALE : 1/10		TYPE : ASSY
'17.05.11	'17.05.11	'17.05.11	'17.05.11	TOLERANCES ARE : LINEAR : X ± 0.2 .X ± 0.1 .XX ± 0.01 ANGLES : ± 0.1° RADII UNLESS NOTED : R 0.3		DWG REV : 00 SH'T NO : 1/1	SIZE : A3
HYUNDAI IT CO., LTD.			MODEL NAME (CODE): D55LFN(UFN)	CUSTOMER: HDIT	DWG(PART) NO. D55LFN(UFN)_001		
			FILE NAME : LAYOUT_D55LF_SERIES_170511.DWG				