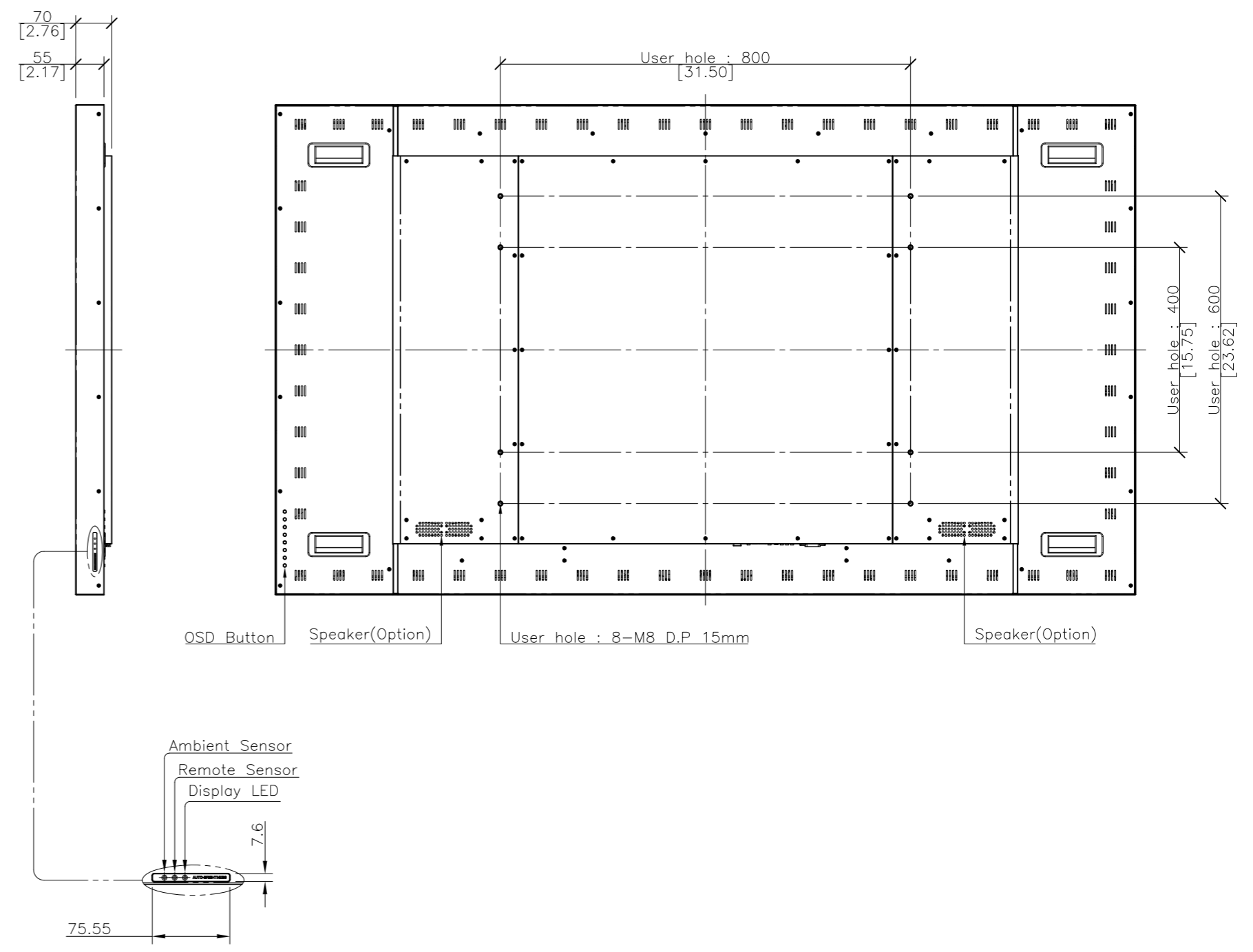
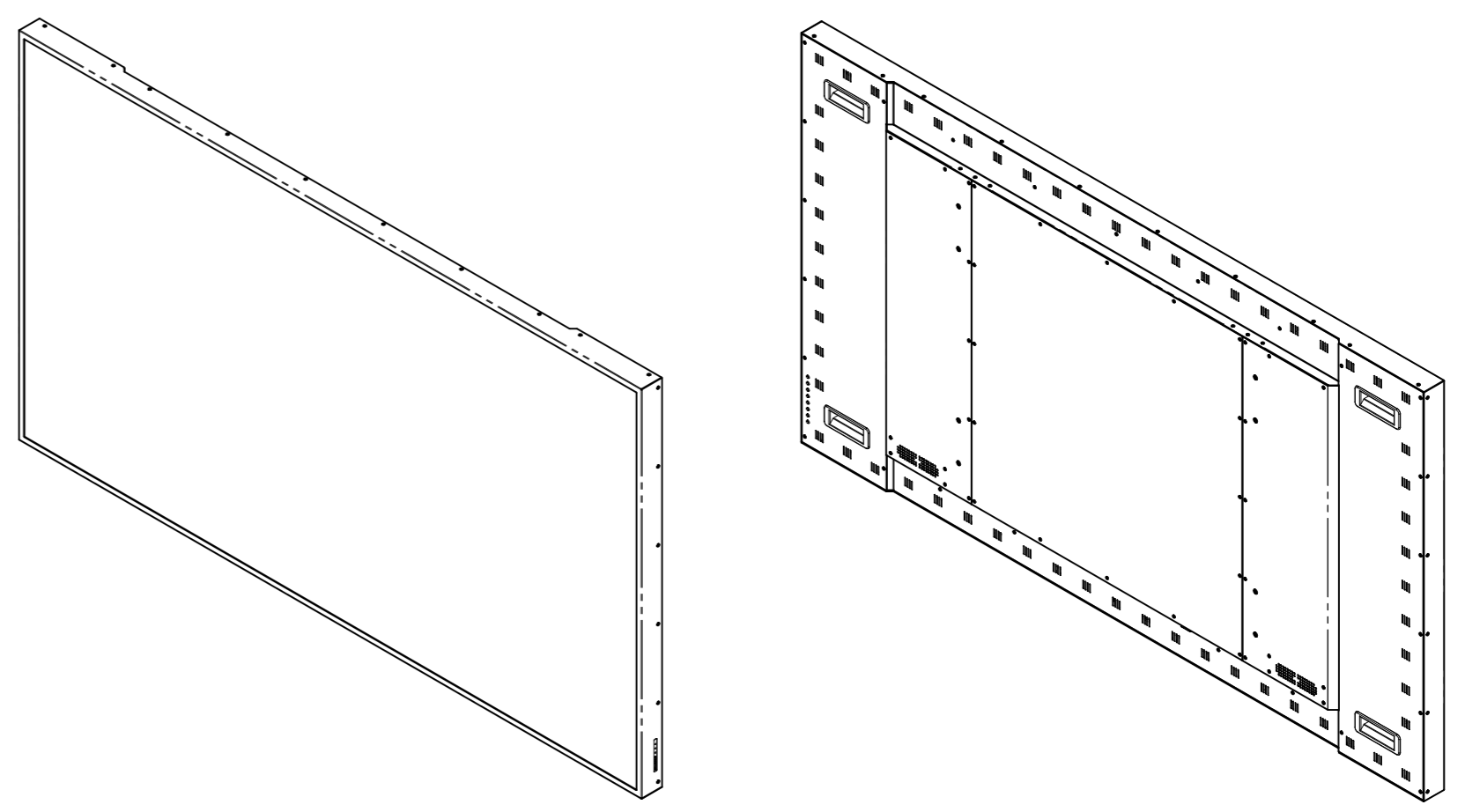
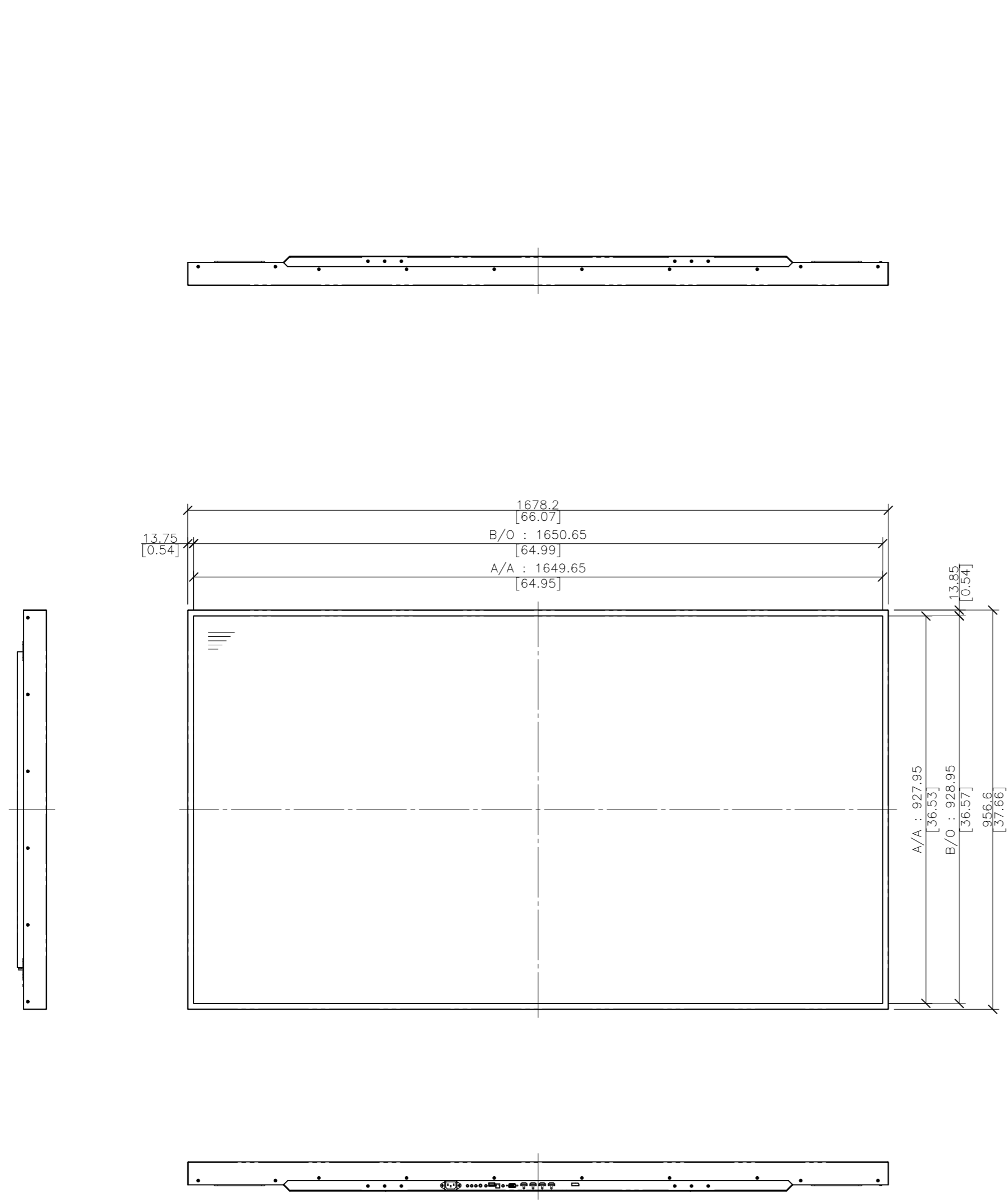


REV. NO		REV. HISTORY	LTR	ECO NO	DATE	APPR'L
DWG	PART					
00	00	INITIAL RELEASE	-	-	-	-



- NOTES.**
1. LCD Panel : 75" LED Back Light Panel
 2. Tempered Glass : 5.0t
 3. Material : E.G.I
 4. Color : Black

DRAWN	PLANNED	CHECKED	APPROVED	UNLESS OTHERWISE SPECIFIED ALL DIMENSION ARE IN MILLIMETERS	ANGLE 3rd.	TITLE	UNIT : mm
S.W.SEO	S.H.JANG	S.H.JANG	Y.T.KIM	TOLERANCES ARE: LINEAR : X ± 0.20 X ± 0.1 XX ± 0.01 ANGLES : ± 0.1° RADIUS UNLESS NOTED : R 0.3	SCALE : 1/10	D75UMNG EXTERIOR VIEW	TYPE : ASSY
'17.06.15	'17.06.15	'17.06.15	'17.06.15	MODEL NAME (CODE): D75UMNG	CUSTOMER: HDT	DWG REV : 00	DWG(PART) NO. D75UMNG_001
HYUNDAI IT CO.,LTD.				FILE NAME : LAYOUT_D75XMN_170615.DWG	SHT NO : 1/1	SIZE : A2	