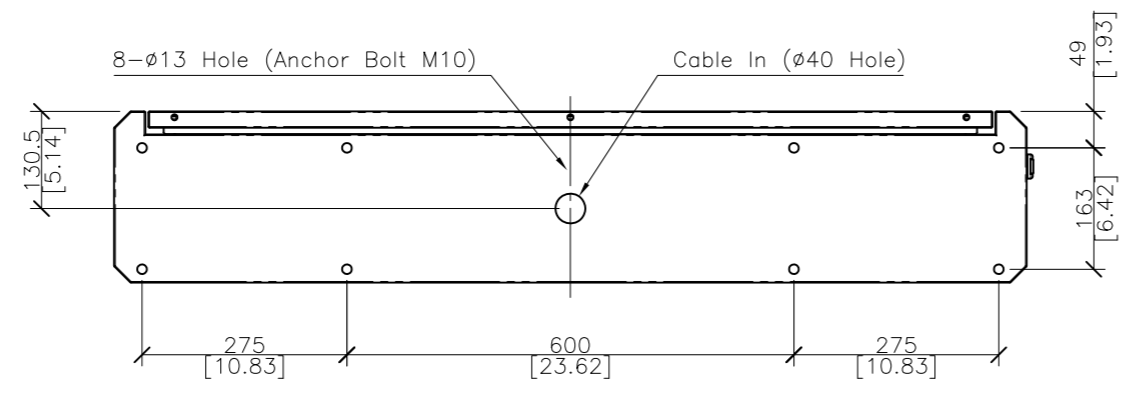
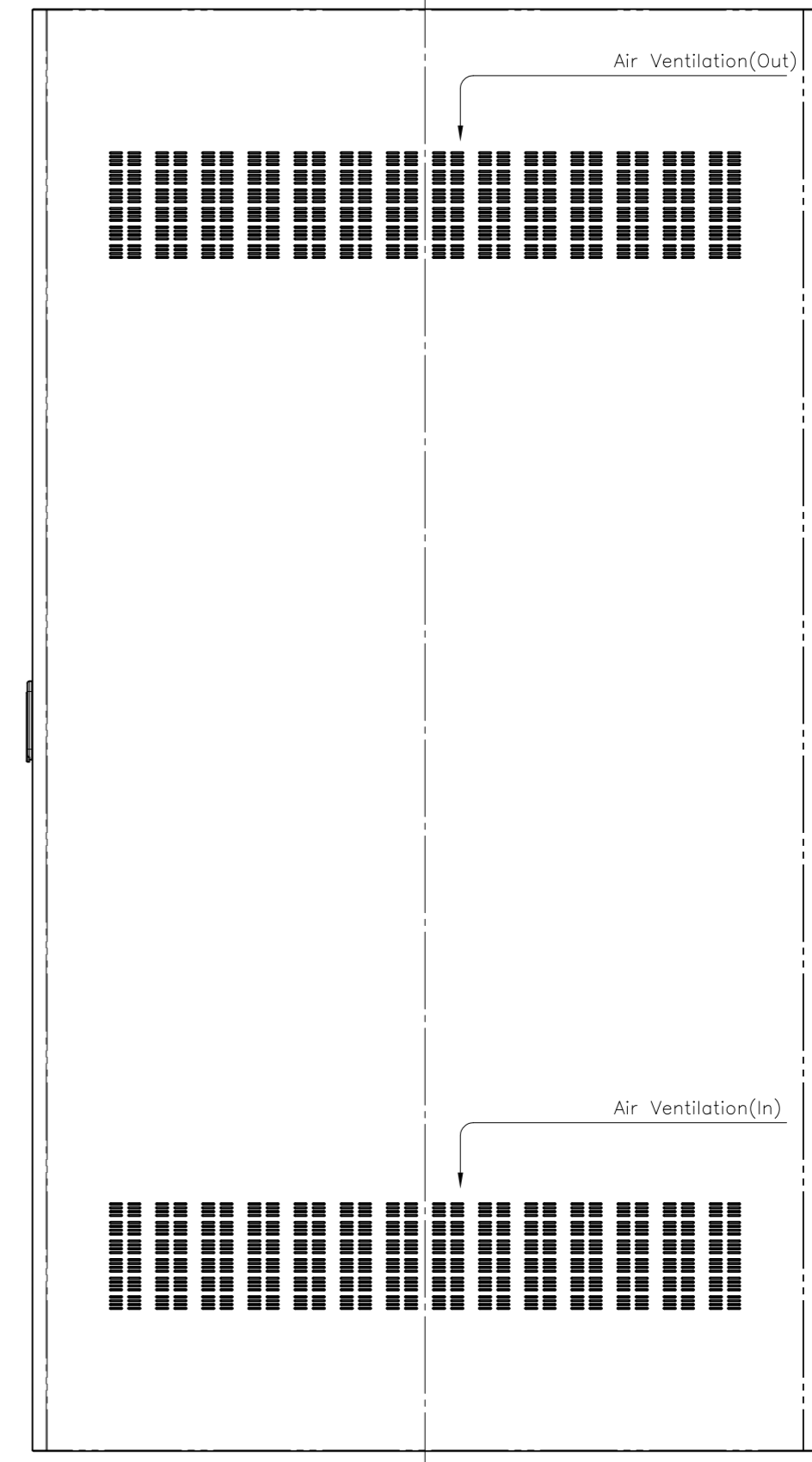
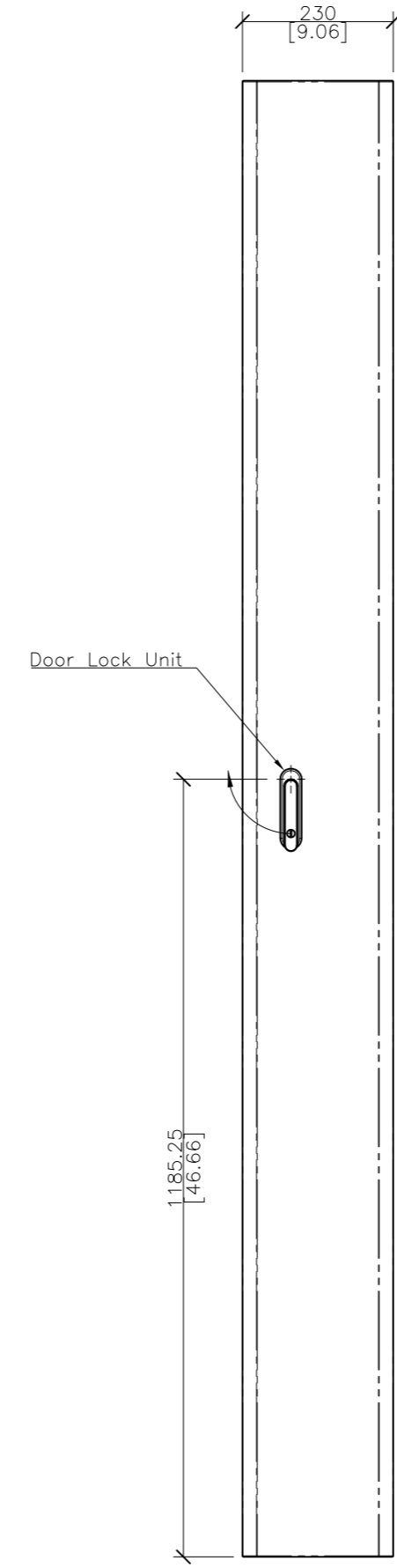
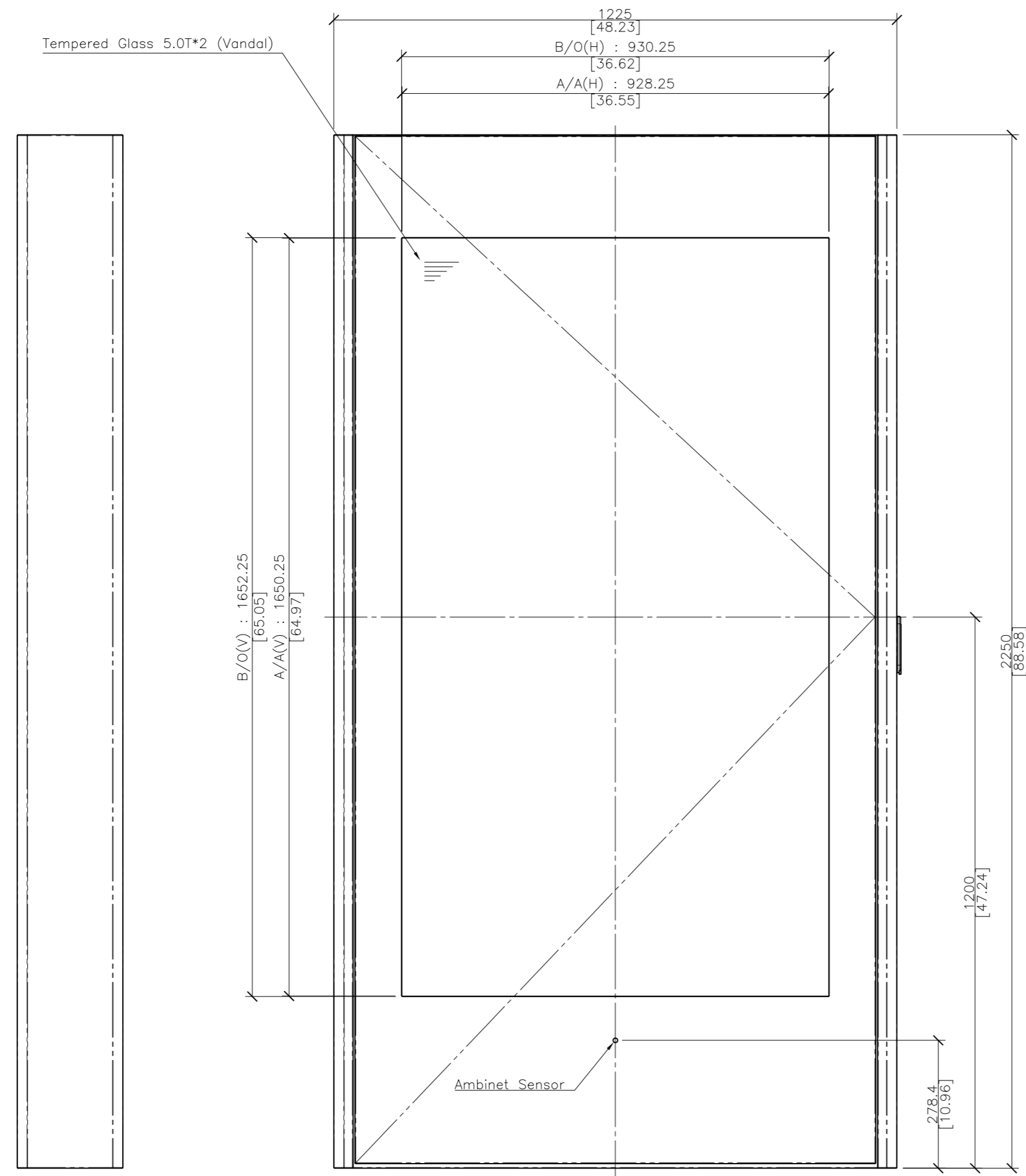
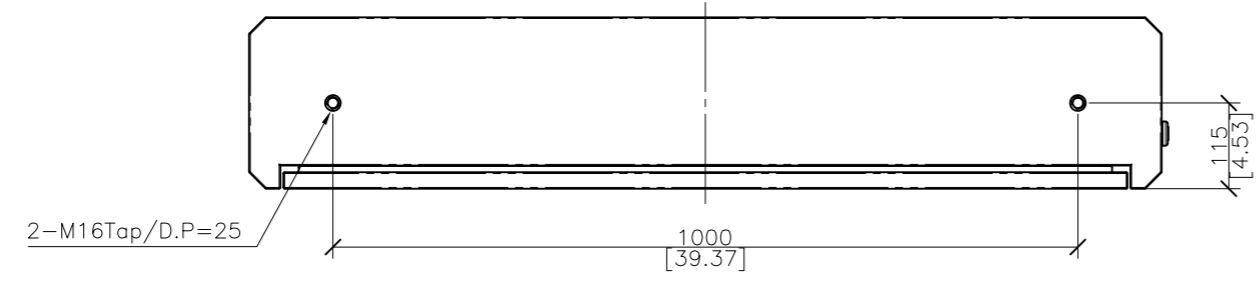


| REV. NO | | REV. HISTORY | LTR | ECO NO | DATE | APPR'L |
|---------|------|-----------------|-----|--------|------|--------|
| DWG | PART | | | | | |
| 00 | 00 | INITIAL RELEASE | - | - | - | - |



NOTES,
1. Cable Entry : Cable Gland("IP66" or more certified products should be used)

| | | | | | | | |
|-----------|-----------|-----------|-----------|--|-------------------|---|----------------|
| DRAWN | PLANNED | CHECKED | APPROVED | UNLESS OTHERWISE SPECIFIED ALL DIMENSION ARE IN MILLIMETERS | ANGLE 3rd. | TITLE : H757SS Series EXTERIOR VIEW | UNIT : mm |
| S.W.SEO | S.H.JANG | S.H.JANG | Y.T.KIM | TOLERANCES ARE: LINEAR : X ± 0.20 X ± 0.1 XX ± 0.01 ANGLES : ± 0.1° RADIUS UNLESS NOTED : R 0.3 | SCALE : 1/10 | | TYPE : ASSY |
| '15.05.29 | '15.05.29 | '15.05.29 | '15.05.29 | MODEL NAME (CODE): H757SS* | CUSTOMER: HDIT | DWG REV : 01 | SIZE : A2 |
| | | | | FILE NAME : LAYOUT_H757S_150511.DWG | SHT NO : 1/1 | DWG(PART) NO. H757SS_001 | |

This drawing is the property of HYUNDAI IT Corp. and should not be disclosed to any third party without prior permission of HYUNDAI IT Corp.