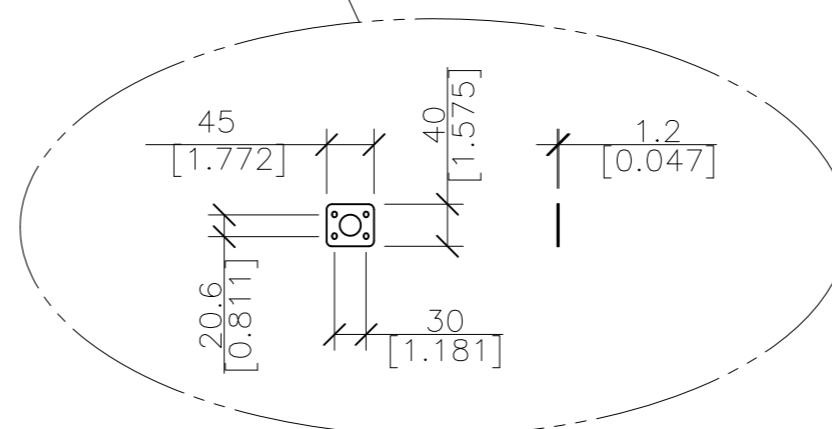
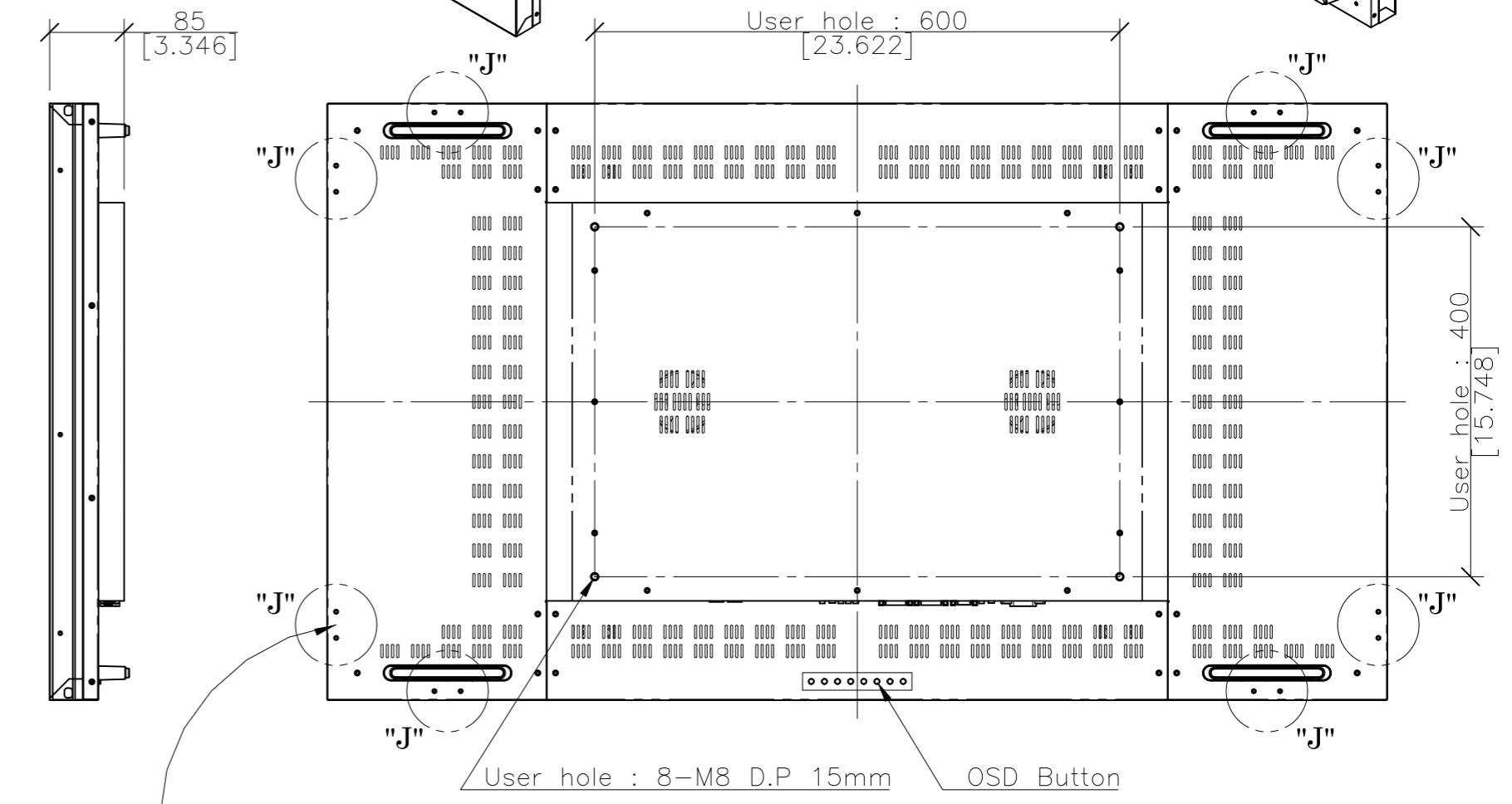
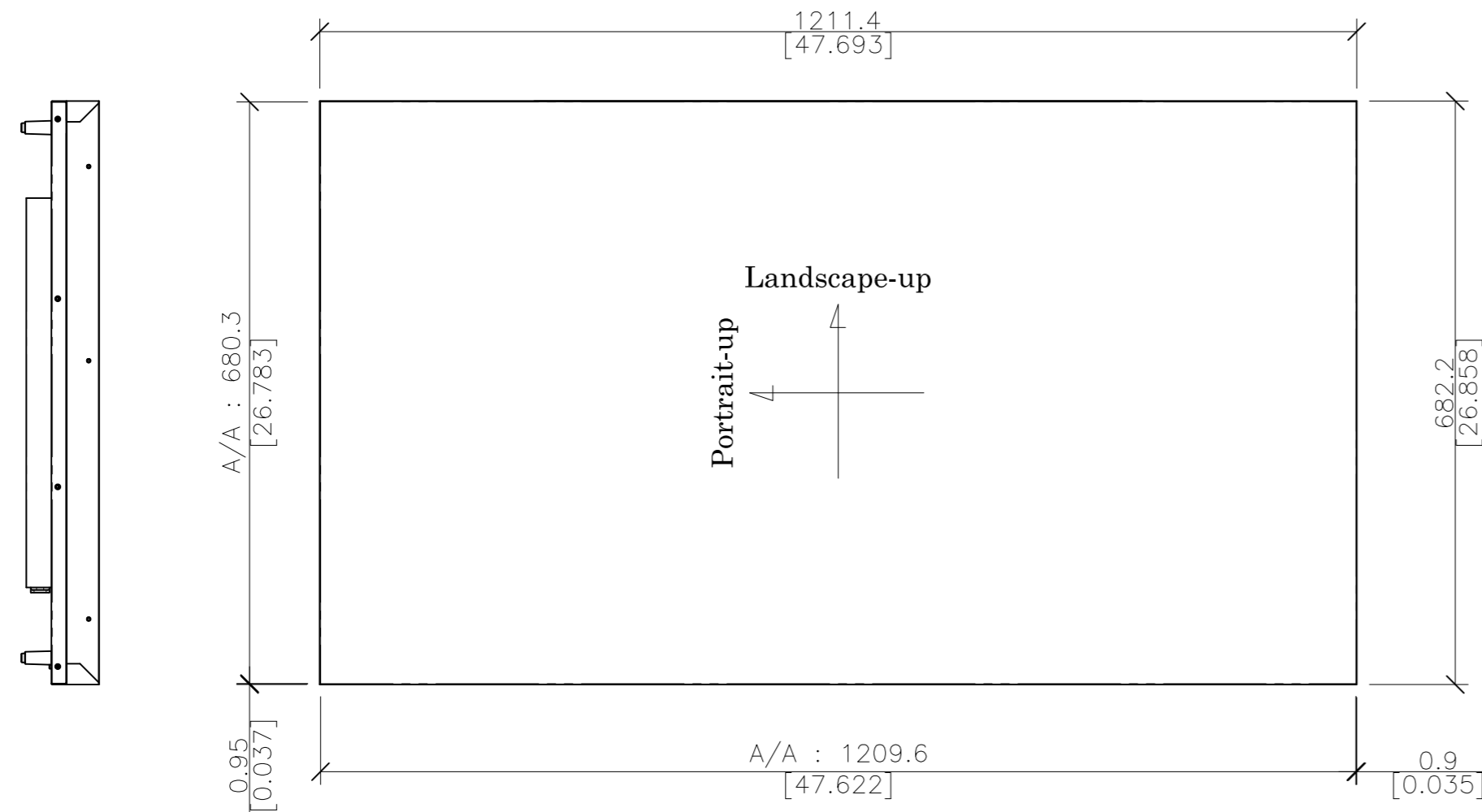
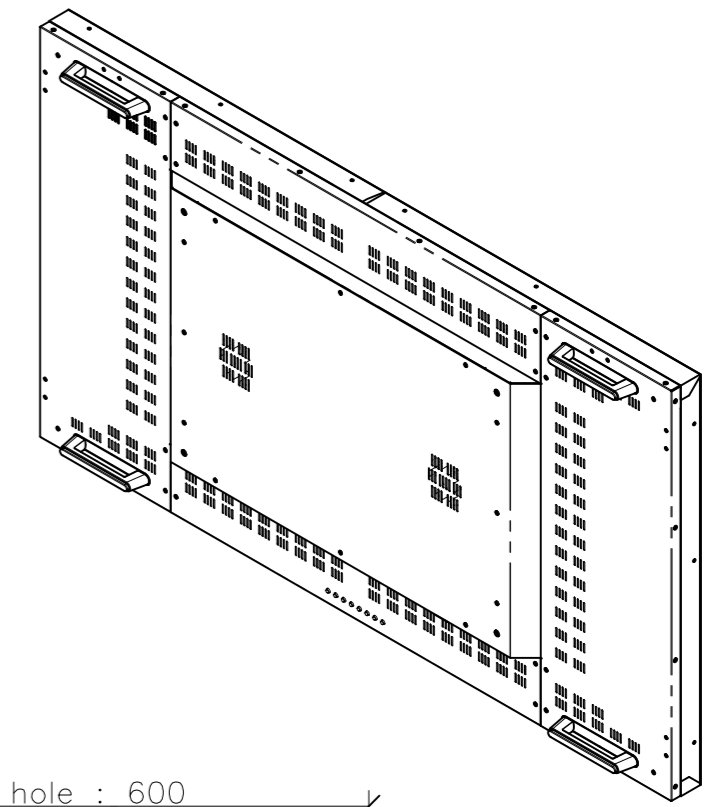
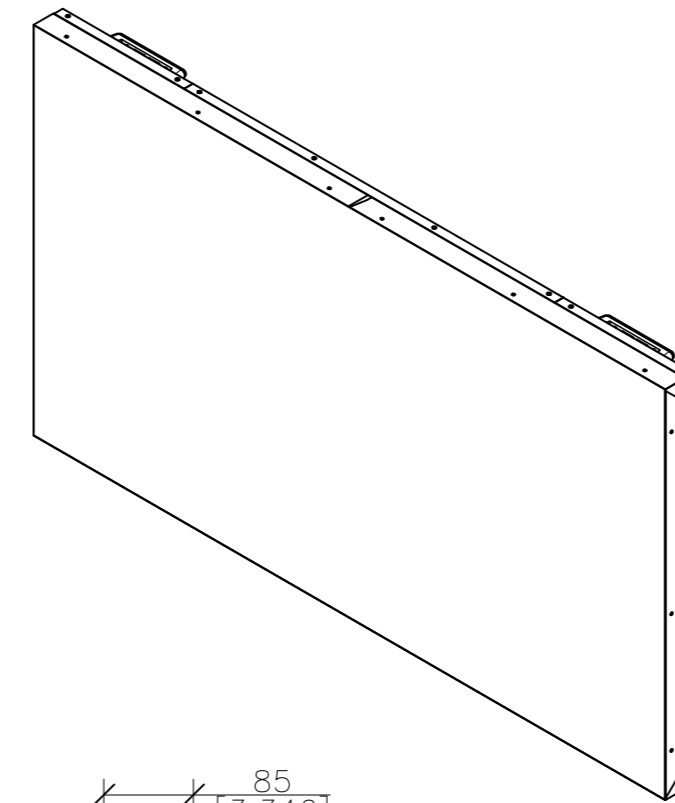
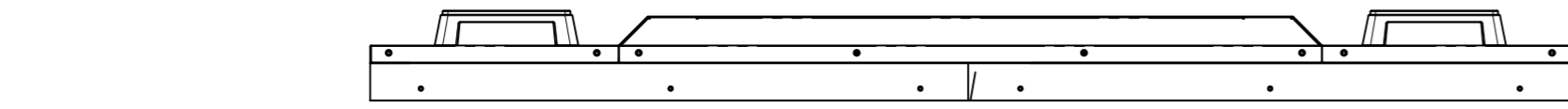


This drawing is the property of HYUNDAI IT Corp. and should not be disclosed to any third party without prior permission of HYUNDAI IT Corp..

REV. NO		REV. HISTORY	LTR	ECO NO	DATE	APPR'L
DWG	PART					
00	00	INITIAL RELEASE	-	-	-	-



DP Port (Option)  
RJ45 (Option)  
IR & LED

- NOTES**
- LCD Panel : 55" eXNB
  - Cabinet Material : E.G.I
  - Cabinet Color : Black
  - Net Weight : T.B.D
  - "J" Location : M4 Tap (2\*8 Ea)

DRAWN	PLANNED	CHECKED	APPROVED	UNLESS OTHERWISE SPECIFIED ALL DIMENSION ARE IN MILLIMETERS	ANGLE 3rd.	TITLE : D55NFB EXTERIOR VIEW	UNIT : mm
S.H.JANG	S.H.JANG	S.H.JANG	Y.T.KIM	TOLERANCES ARE : LINEAR : X ± 0.2 .X ± 0.1 .XX ± 0.01 ANGLES : ± 0.1° RADII UNLESS NOTED : R 0.3	SCALE : 1/10		TYPE : ASSY
'16.08.08	'16.08.08	'16.08.08	'16.08.08	MODEL NAME (CODE): D55NFB	CUSTOMER. HDIT	DWG REV : 00	SIZE : A3
				FILE NAME : LAYOUT_D55NFB_160808.DWG		DWG(PART) NO. D55NFB_001	